



More information on the website
radwag.com/en/info,w1,0XK

WLC 1/10.X2 Precision Balance



WLC 1/10.X2 Precision Balance

The drawings, photos and graphics used are for illustrative purposes only.

Functions



Autotest



Dosing



Percent Weighing



Parts counting



Peak hold



Formulation



Newton unit measurement



Statistics



Checkweighing



IR sensors



Under-pan weighing



GLP Procedures



Animal weighing



Density determination



Ambient conditions monitoring



Replaceable unit



Statistical Quality Control



ALIBI Memory



Mass for titrator



Wi-Fi

Datasheet

WLC 1/10.X2 Precision Balance	
Metrological parameters	
Maximum capacity [Max]	10 kg
Readability [d]	0,01 / 0,1 g
Verification scale interval [e]	-
Tare range	-10 kg
Repeatability	0,015 / 0,08 g
Linearity	±0,03 / 0,3 g
Stabilization time	4 / 2 s
Adjustment	external
Physical parameters	
Leveling system	manual
Display	5" graphic color touchscreen
Delivery components	Balance, weighing pan, weighing pan shield, grounding bumper ×1, bumper ×3, power supply.
Weighing pan dimensions	195×195 mm
Packaging dimensions	470×380×336 mm
Net weight	2,2 kg
Gross weight	3,8 kg
Features of use	
Database capacity	7
Communication interface	
Communication interface	2×RS232 ¹ , USB-A, USB-B, Ethernet, Wi-Fi
Electrical parameters	
Power supply	Adapter: 100 – 240V AC 50/60Hz 0,6A; 12V DC 1,2A Balance: 10 – 15VDC 0,6A max
Environmental conditions	
Operating temperature	+10 ÷ +40 °C

Repeatability is expressed as a standard deviation from 10 weighing cycles. Stabilization time depends on the ambient conditions and the dynamics of weighing pan loading; specified for FAST profile. 1 Barcode scanners, available as weighing instrument accessory, communicate with the instrument via RS232 interface exclusively.

* Wi-Fi® is a registered trademark of Wi-Fi® Alliance.



Accessories

RS 232 cables (scale - printer)
Barcode scanners
Cigarette lighter receptacle power supply cables
USB cable (scale - printer)
Power Adapters

Density determination KIT
Displays
Receipt Printer
Protective cover for balances
RS 232, RS 485 cables

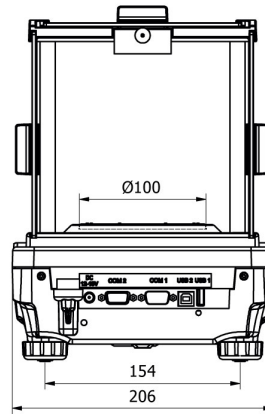
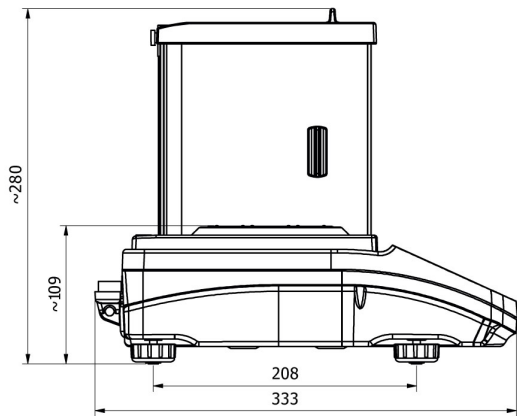
Software

RAD-KEY
Alibi Reader
Scales Editor 2.1
E2R System

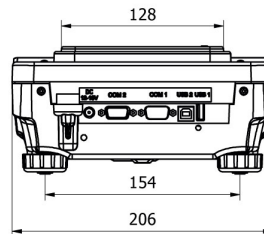
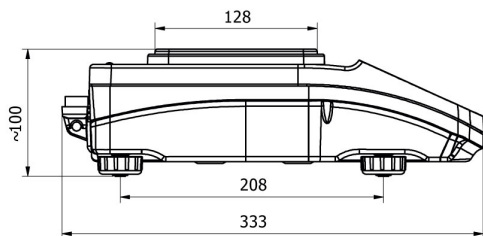
LabVIEW Driver
R-LAB
RADWAG Development Studio
R.Barcode

Device dimensions

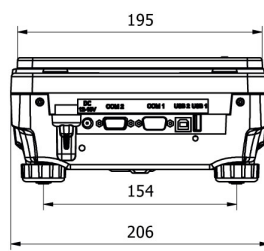
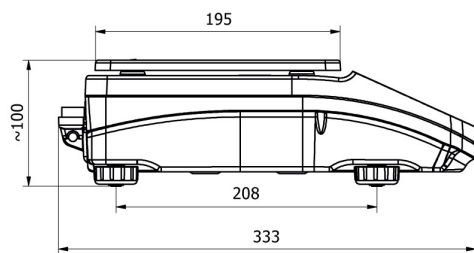
WLC 1/10.X2 Precision Balance



WLC X2, d = 0.001 mg



WLC X2, d = 0.01 mg



WLC X2, d = 0.1 mg