



More information on the website  
[radwag.com/en/info,w1,7MF](https://radwag.com/en/info,w1,7MF)

### WLC 20.X2 Precision Balance



WLC 20.X2 Precision Balance

The drawings, photos and graphics used are for illustrative purposes only.

## Functions



Autotest



Dosing



Percent Weighing



Parts counting



Peak hold



Formulation



Newton unit  
measurement



Statistics



Checkweighing



IR sensors



Under-pan weighing



GLP Procedures



Animal weighing



Density determination



Ambient conditions  
monitoring



Replaceable unit



Statistical Quality Control



ALIBI Memory



Mass for titrator



Wi-Fi

# Datasheet

WLC 20.X2 Precision Balance	
<b>Metrological parameters</b>	
Maximum capacity [Max]	20 kg
Readability [d]	0,1 g
Verification scale interval [e]	-
Tare range	-20 kg
Repeatability	0,1 g
Linearity	±0,3 g
Stabilization time	3 s
Adjustment	external
<b>Physical parameters</b>	
Leveling system	manual
Display	5" graphic color touchscreen
Weighing pan dimensions	195×195 mm
Packaging dimensions	470×380×336 mm
Net weight	2,2 kg
Gross weight	3,8 kg
<b>Features of use</b>	
Database capacity	7
<b>Communication interface</b>	
Communication interface	2×RS232 <sup>1</sup> , USB-A, USB-B, Ethernet, Wi-Fi
<b>Electrical parameters</b>	
Power supply	Adapter: 100 – 240V AC 50/60Hz 0,6A; 12V DC 1,2A Balance: 10 – 15VDC 0,6A max
<b>Environmental conditions</b>	
Operating temperature	+10 ÷ +40 °C

Repeatability is expressed as a standard deviation from 10 weighing cycles. Stabilization time depends on the ambient conditions and the dynamics of weighing pan loading; specified for FAST profile. 1 Barcode scanners, available as weighing instrument accessory, communicate with the instrument via RS232 interface exclusively.

\* Wi-Fi® is a registered trademark of Wi-Fi® Alliance.



## Accessories

RS 232 cables (scale - printer)  
Barcode scanners  
Cigarette lighter receptacle power supply cables  
USB cable (scale - printer)  
Power Adapters

Density determination KIT  
Displays  
Receipt Printer  
Protective cover for balances  
RS 232, RS 485 cables

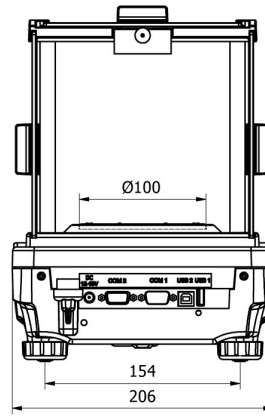
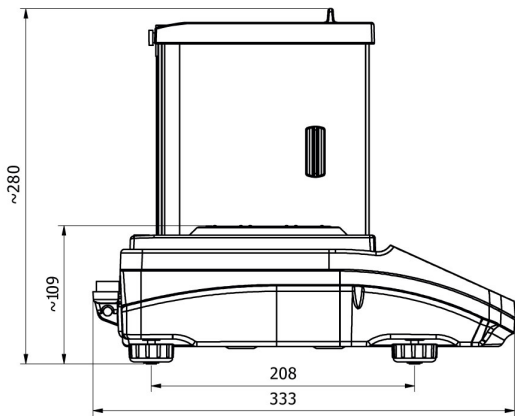
## Software

RAD-KEY  
Alibi Reader  
Scales Editor 2.1  
E2R System

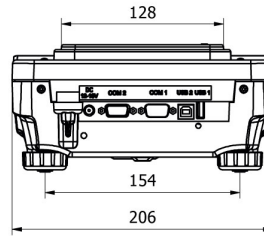
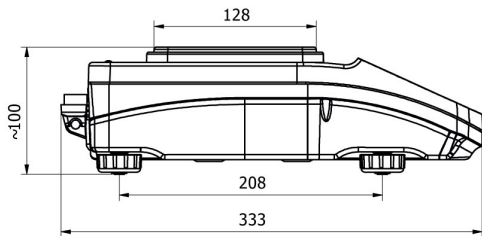
LabVIEW Driver  
R-LAB  
RADWAG Development Studio  
R.Barcode

# Device dimensions

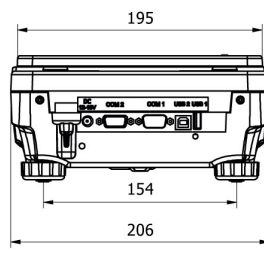
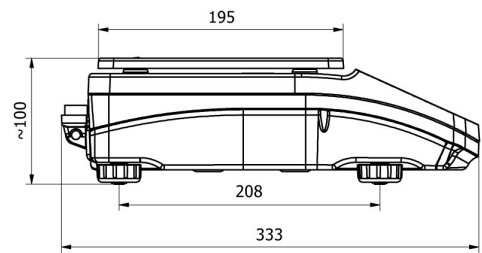
## WLC 20.X2 Precision Balance



WLC X2, d = 0.001 mg



WLC X2, d = 0.01 mg



WLC X2, d = 0.1 mg