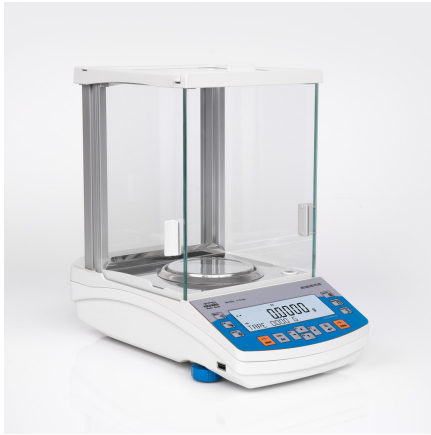




AS 310.R2 PLUS Analytical Balance

More information on the website
radwag.com/en/info,w1,APQ



AS 310.R2 PLUS Analytical Balance

The drawings, photos and graphics used are for illustrative purposes only.

Functions



Autotest



Dosing



Percent Weighing



Totalizing



Parts counting



Peak hold



Newton unit
measurement



Statistics



Checkweighing



Under-pan weighing



GLP Procedures



Animal weighing



Density determination

Datasheet

	AS 310.R2 PLUS Analytical Balance
Metrological parameters	
Maximum capacity [Max]	310 g
Minimum load	10 mg
Readability [d]	0,1 mg
Verification scale interval [e]	1 mg
Tare range	-310 g
Standard repeatability [5% Max]	0,08 mg
Standard repeatability [Max]	0,12 mg
Standard minimum weight (USP)	160 mg
Standard minimum weight (U=1%, k=2)	16 mg
Permissible repeatability [5% Max]	0,12 mg
Permissible repeatability [Max]	0,15 mg
Linearity	±0,2 mg
Stabilization time	2,5 s
Adjustment	internal (automatic)
OIML Class	I
Physical parameters	
Leveling system	manual
Display	LCD (backlit)
Protection class	IP 43
Delivery components	Balance, weighing pan, weighing pan shield, bottom cover, power supply.
Weighing pan dimensions	ø100 mm
Packaging dimensions	495×400×515 mm
Net weight	7,3 kg
Gross weight	9,3 kg
Communication interface	
Communication interface	2×RS232 ¹ , 2×USB-A (interchangeable), USB-B, Wi-Fi (option)
Electrical parameters	
Power supply	Adapter: 100 – 240V AC 50/60Hz 0,6A; 12V DC 1,2A Balance: 12 – 15V DC 0,4A max
Power consumption max.	3 W
Environmental conditions	
Operating temperature	+10 ÷ +40 °C

Repeatability is expressed as a standard deviation from 10 weighing cycles. Stabilization time depends on the ambient conditions and the dynamics of weighing pan loading; specified for FAST profile. 1 Barcode scanners, available as weighing instrument accessory, communicate with the instrument via RS232 interface exclusively.

* Wi-Fi® is a registered trademark of Wi-Fi® Alliance.



Accessories

Holders for laboratory flasks
Barcode scanners
Cigarette lighter receptacle power supply cables

Displays
Protective cover for balances
Weighing dishes

Density determination KIT
 USB cable (scale - printer)
 Professional weighing table
 Holders for test tubes and filters
 Workstation for Pipettes Calibration
 Power Adapters
 Antivibration Tables

Antistatic ionizer
 Receipt Printer
 RPANEL BOX
 RS 232, RS 485 cables
 Under-Pan Weighing Rack
 RS 232 cables (scale - printer)

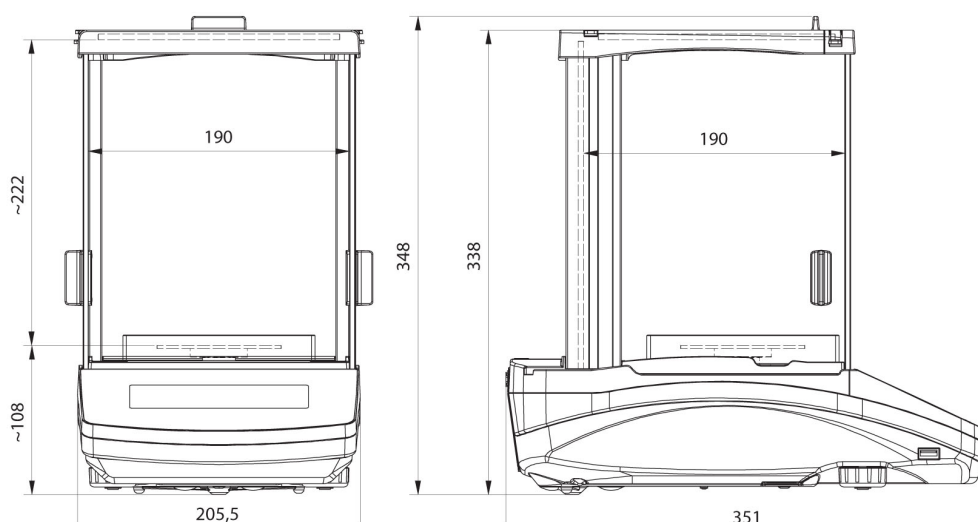
Software

RAD-KEY
 R Panel
 R-LAB
 E2R System

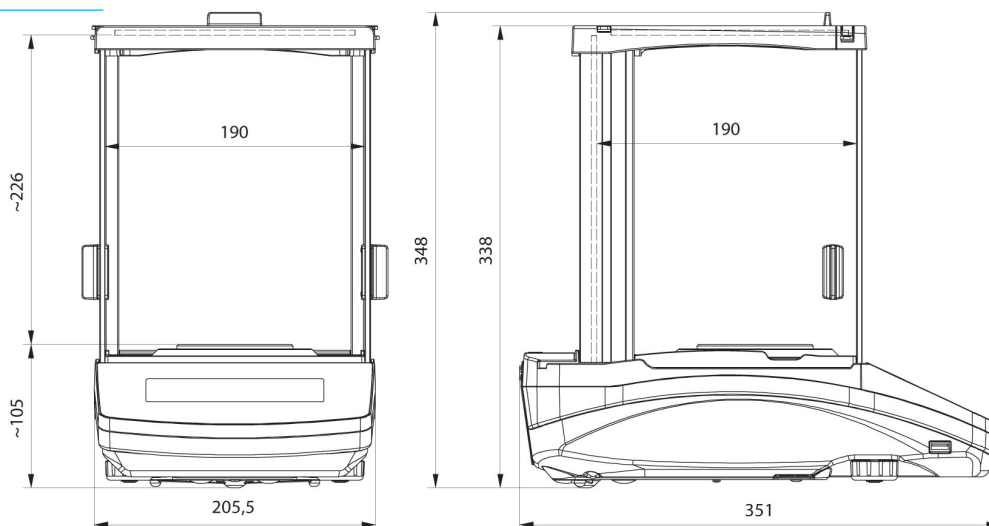
LabVIEW Driver
 Alibi Reader
 RADWAG Development Studio
 R.Barcode

Device dimensions

AS 310.R2 PLUS Analytical Balance



AS R2, d = 0.01 mg



AS R2, AS R1 d = 0.1 mg