



More information on the website  
[radwag.com/en/info,w1,DP0](http://radwag.com/en/info,w1,DP0)

## AS 62.R2 PLUS Analytical Balance



AS 62.R2 PLUS Analytical Balance

The drawings, photos and graphics used are for illustrative purposes only.

## Datasheet

	AS 62.R2 PLUS Analytical Balance
<b>Metrological parameters</b>	
Maximum capacity [Max]	62 g
Minimum load	1 mg
Readability [d]	0,01 mg
Verification scale interval [e]	1 mg
Tare range	-62 g
Standard repeatability [5% Max]	0,012 mg
Standard repeatability [Max]	0,02 mg
Standard minimum weight (USP)	24 mg
Standard minimum weight (U=1%, k=2)	2,4 mg
Permissible repeatability [5% Max]	0,02 mg
Permissible repeatability [Max]	0,035 mg
Linearity	±0,05 mg
Stabilization time	2 s
Adjustment	internal (automatic)
OIML Class	I
<b>Physical parameters</b>	
Leveling system	manual
Display	LCD (backlit)
Protection class	IP 43
Delivery components	Balance, weighing pan, weighing pan shield, centring ring, bottom cover, power supply, fabric dust cover.
Weighing pan dimensions	ø90 + ø85 (option) mm
Packaging dimensions	495×400×515 mm
Net weight	7,3 kg
Gross weight	9,3 kg
<b>Communication interface</b>	
Communication interface	2×RS232 <sup>1</sup> , 2×USB-A (interchangeable), USB-B, Wi-Fi (option)
<b>Electrical parameters</b>	
Power supply	Adapter: 100 – 240V AC 50/60Hz 0,6A; 12V DC 1,2A Balance: 12 – 15V DC 0,4A max
Power consumption max.	3 W
<b>Environmental conditions</b>	
Operating temperature	+10 ÷ +40 °C

Repeatability is expressed as a standard deviation from 10 weighing cycles. Stabilization time depends on the ambient conditions and the dynamics of weighing pan loading; specified for FAST profile. 1 Barcode scanners, available as weighing instrument accessory, communicate with the instrument via RS232 interface exclusively.

\* Wi-Fi® is a registered trademark of Wi-Fi® Alliance.



## Accessories

Antivibration Tables  
Holders for laboratory flasks  
Barcode scanners  
Cigarette lighter receptacle power supply cables  
USB cable (scale - printer)  
Professional weighing table  
Holders for test tubes and filters  
Workstation for Pipettes Calibration  
Power Adapters

Displays  
Protective cover for balances  
Weighing dishes  
Antistatic ionizer  
Receipt Printer  
RPANEL BOX  
RS 232, RS 485 cables  
Under-Pan Weighing Rack  
RS 232 cables (scale - printer)

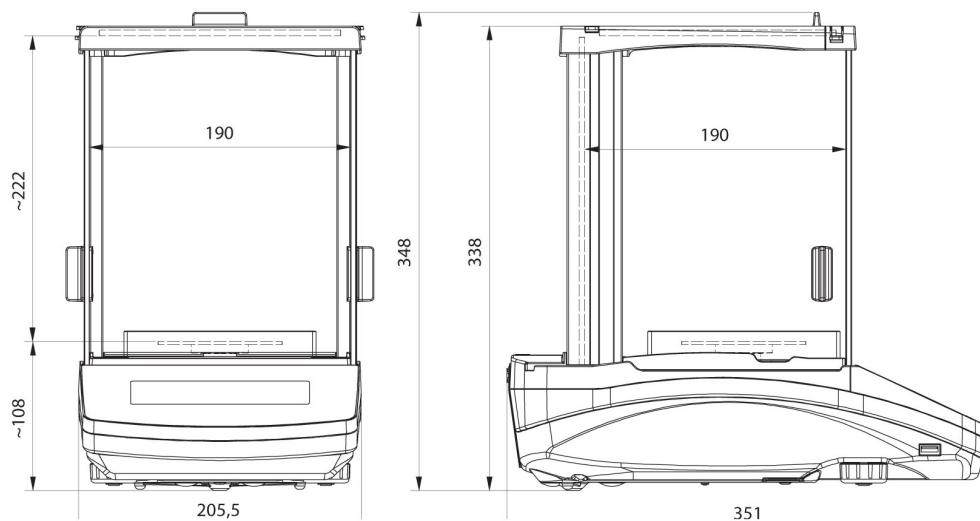
## Software

RAD-KEY  
R Panel  
R-LAB  
E2R System

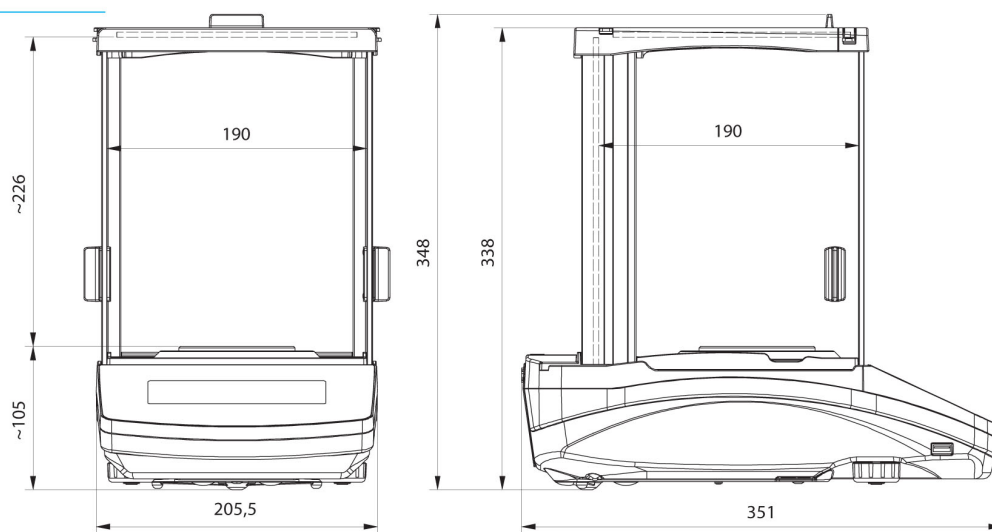
LabVIEW Driver  
Alibi Reader  
RADWAG Development Studio  
R.Barcode

## Device dimensions

AS 62.R2 PLUS Analytical Balance



AS R2, d = 0.01 mg



AS R2, AS R1 d = 0.1 mg