



More information on the website  
[radwag.com/en/info,w1,COP](https://radwag.com/en/info,w1,COP)

## PS 1000.R1 Precision Balance



PS 1000.R1 Precision Balance

The drawings, photos and graphics used are for illustrative purposes only.

## Functions



Autotest



Dosing



Percent Weighing



Totalizing



Parts counting



Peak hold



Newton unit  
measurement



Statistics



Checkweighing



GLP Procedures



Animal weighing



Density determination

# Datasheet

	PS 1000.R1 Precision Balance
<b>Metrological parameters</b>	
Maximum capacity [Max]	1000 g
Minimum load	20 mg
Readability [d]	0,001 g
Tare range	-1000 g
Repeatability (Max)	0,0015 g
Repeatability (5% Max)	0,0005 g
Linearity	±0,003 g
Stabilization time	2 s
Adjustment	external
<b>Physical parameters</b>	
Leveling system	manual
Display	LCD (backlit)
Protection class	IP 43
Delivery components	Balance, weighing pan, weighing pan shield, grounding bumper x1, bumper x3, power supply.
Weighing pan dimensions	128×128 mm
Packaging dimensions	470×380×336 mm
Net weight	3,2 kg
Gross weight	4,8 kg
<b>Communication interface</b>	
Communication interface	2×RS232 <sup>1</sup> , USB-A, USB-B, Wi-Fi (option)
<b>Electrical parameters</b>	
Power supply	Adapter: 100 – 240V AC 50/60Hz 0,6A; 12V DC 1,2A Balance: 12 – 15V DC 0,4A max
<b>Environmental conditions</b>	
Operating temperature	+10 ÷ +40 °C

Repeatability is expressed as a standard deviation from 10 weighing cycles. Stabilization time depends on the ambient conditions and the dynamics of weighing pan loading; specified for FAST profile. 1 Barcode scanners, available as weighing instrument accessory, communicate with the instrument via RS232 interface exclusively.

\* Wi-Fi® is a registered trademark of Wi-Fi® Alliance.



## Accessories

Barcode scanners  
Cigarette lighter receptacle power supply cables  
USB cable (scale - printer)  
Density determination KIT  
Power Adapters  
Anti-Draft Chamber for Balances with a 128×128 mm Weighing Pan  
Antivibration Tables  
Displays

Draft Shield  
Receipt Printer  
RPANEL BOX  
Protective cover for balances  
RS 232, RS 485 cables  
Under-Pan Weighing Rack  
RS 232 cables (scale - printer)

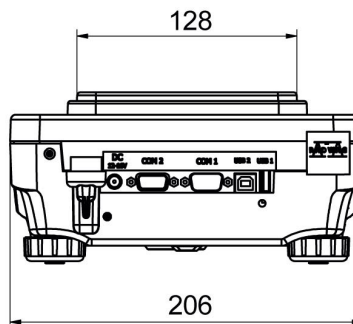
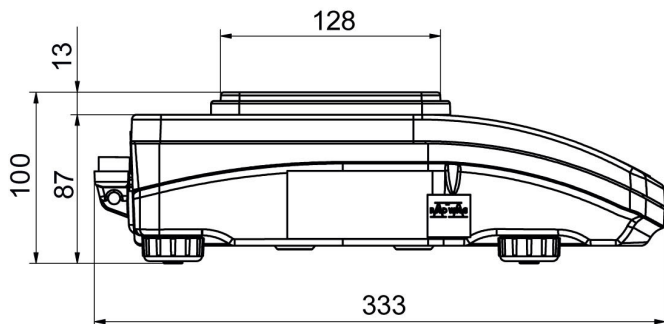
## Software

RAD-KEY

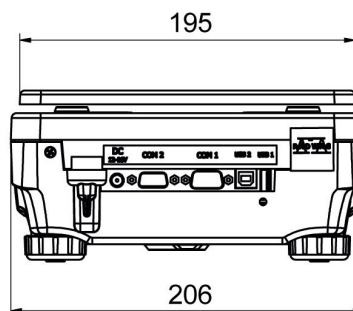
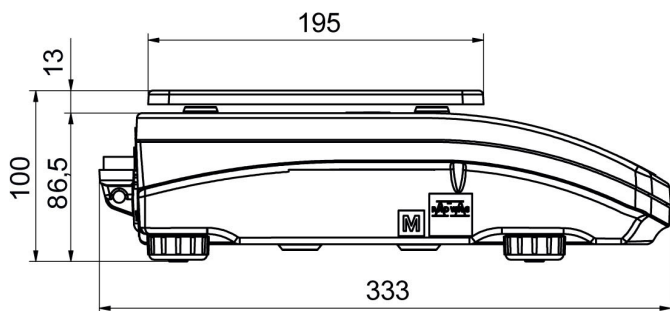
LabVIEW Driver

## Device dimensions

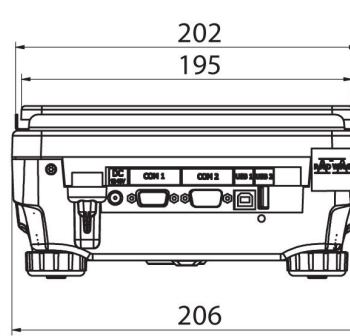
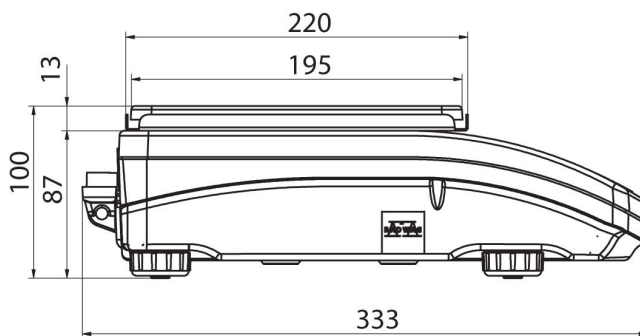
PS 1000.R1 Precision Balance



PS R, d = 1 mg



PS R, d = 10 mg



PS R.M, d = 10 mg