



More information on the website
radwag.com/en/info,w1,EVT

PS 3500.R1.M Precision Balance



PS 3500.R1.M Precision Balance

The drawings, photos and graphics used are for illustrative purposes only.

Functions



Autotest



Dosing



Percent Weighing



Totalizing



Parts counting



Peak hold



Newton unit
measurement



Statistics



Checkweighing



GLP Procedures



Animal weighing



Density determination

Datasheet

| PS 3500.R1.M Precision Balance | |
|---------------------------------|---|
| Metrological parameters | |
| Maximum capacity [Max] | 3500 g |
| Minimum load | 500 mg |
| Readability [d] | 0,01 g |
| Tare range | -3500 g |
| Repeatability (Max) | 0,008 g |
| Repeatability (5% Max) | 0,005 g |
| Linearity | ±0,02 g |
| Stabilization time | 1,5 s |
| Adjustment | external |
| Physical parameters | |
| Leveling system | manual |
| Display | LCD (backlit) |
| Protection class | IP 43 |
| Delivery components | Balance, weighing pan, weighing pan shield, power supply |
| Weighing pan dimensions | 195×195 mm |
| Packaging dimensions | 470×380×336 mm |
| Net weight | 3,6 kg |
| Gross weight | 5,1 kg |
| Communication interface | |
| Communication interface | 2×RS232 ¹ , USB-A, USB-B, Wi-Fi (option) |
| Electrical parameters | |
| Power supply | Adapter: 100 – 240V AC 50/60Hz 0,6A; 12V DC 1,2A Balance: 12 – 15V DC 0,4A max |
| Environmental conditions | |
| Operating temperature | +10 ÷ +40 °C |

Repeatability is expressed as a standard deviation from 10 weighing cycles. Stabilization time depends on the ambient conditions and the dynamics of weighing pan loading; specified for FAST profile. 1 Barcode scanners, available as weighing instrument accessory, communicate with the instrument via RS232 interface exclusively.

* Wi-Fi® is a registered trademark of Wi-Fi® Alliance.



Accessories

Barcode scanners
Cigarette lighter receptacle power supply cables
USB cable (scale - printer)
Power Adapters
Antivibration Tables
Displays
Density determination KIT

Receipt Printer
RPANEL BOX
RS 232, RS 485 cables
Protective cover for balances
Under-Pan Weighing Rack
RS 232 cables (scale - printer)

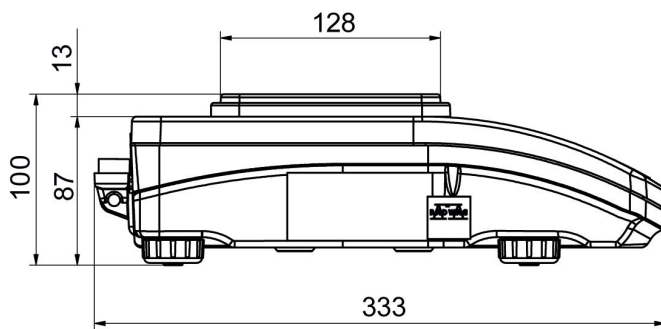
Software

RAD-KEY
R Panel
R-LAB

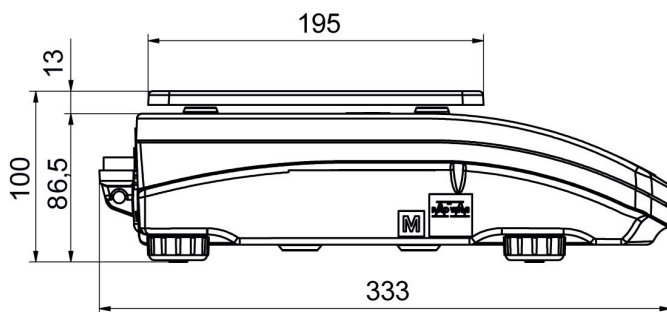
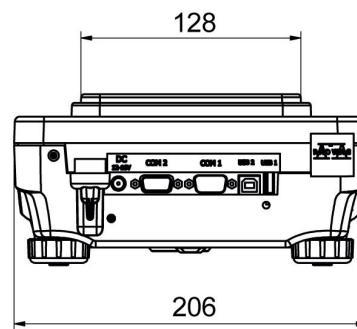
LabVIEW Driver
Alibi Reader
RADWAG Development Studio

Device dimensions

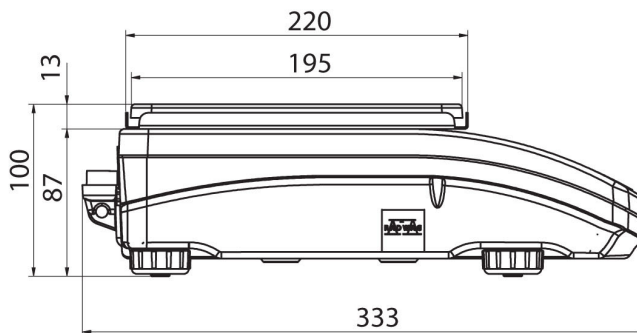
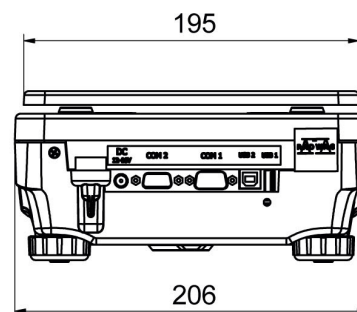
PS 3500.R1.M Precision Balance



PS R, d = 1mg



PS R, d = 10 mg



PS R.M, d = 10 mg

