



PS 3500.R2.M.H Precision Balance

More information on the website
radwag.com/en/info,w1,4KZ



PS 3500.R2.M.H Precision Balance

The drawings, photos and graphics used are for illustrative purposes only.

Functions



Autotest



Dosing



Percent Weighing



Totalizing



Parts counting



Peak hold



Newton unit
measurement



Statistics



Checkweighing



GLP Procedures



Animal weighing



Density determination

Datasheet

| PS 3500.R2.M.H Precision Balance | |
|----------------------------------|-----------------------------------------------------------------------------------|
| Metrological parameters | |
| Maximum capacity [Max] | 3500 g |
| Minimum load | 500 mg |
| Readability [d] | 0,01 g |
| Tare range | -3500 g |
| Repeatability (Max) | 0,008 g |
| Repeatability (5% Max) | 0,005 g |
| Linearity | ±0,02 g |
| Stabilization time | 1,5 s |
| Adjustment | internal (automatic) |
| Physical parameters | |
| Leveling system | manual |
| Display | LCD (backlit) |
| Protection class | IP 54 |
| Delivery components | Balance, weighing pan, weighing pan shield, power supply |
| Weighing pan dimensions | 195×195 mm |
| Packaging dimensions | 470×380×336 mm |
| Net weight | 3,6 kg |
| Gross weight | 5,1 kg |
| Communication interface | |
| Communication interface | 2×RS232 ¹ , USB-A, USB-B, Wi-Fi (option) |
| Electrical parameters | |
| Power supply | Adapter: 100 – 240V AC 50/60Hz 0,6A; 12V DC 1,2A Balance: 12 – 15V DC 0,4A max |
| Environmental conditions | |
| Operating temperature | +10 ÷ +40 °C |

1 Barcode scanners, available as weighing instrument accessory, communicate with the instrument via RS232 interface exclusively.

* Wi-Fi® is a registered trademark of Wi-Fi® Alliance.



Accessories

Barcode scanners
Cigarette lighter receptacle power supply cables
USB cable (scale - printer)
Power Adapters
Antivibration Tables
Displays

Receipt Printer
RPANEL BOX
RS 232, RS 485 cables
Under-Pan Weighing Rack
RS 232 cables (scale - printer)

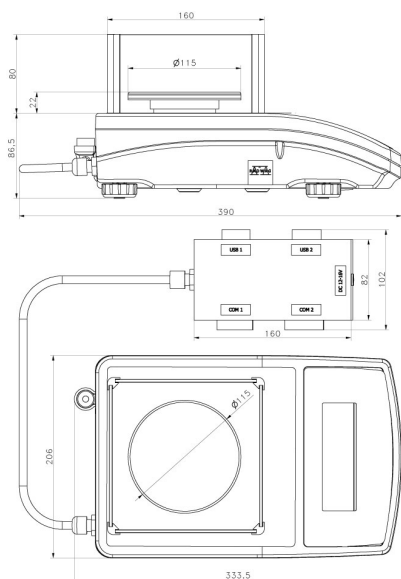
Software

RAD-KEY
R Panel
R-LAB
E2R System

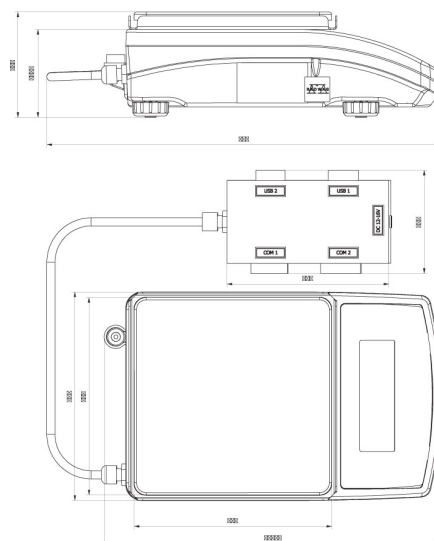
LabVIEW Driver
Alibi Reader
RADWAG Development Studio
R.Barcode

Device dimensions

PS 3500.R2.M.H Precision Balance



PS R2.H, d = 1 mg



PS R2.M.H, d = 10 mg