



More information on the website  
[radwag.com/en/info,w1,NRL](https://radwag.com/en/info,w1,NRL)

PS 750.R2 Precision Balance



PS 750.R2 Precision Balance

The drawings, photos and graphics used are for illustrative purposes only.

## Functions



Autotest



Dosing



Percent Weighing



Totalizing



Parts counting



Peak hold



Newton unit  
measurement



Statistics



Checkweighing



GLP Procedures



Animal weighing



Density determination

# Datasheet

|                                 | PS 750.R2 Precision Balance   |
|---------------------------------|---|
| <b>Metrological parameters</b>  |   |
| Maximum capacity [Max]          | 750 g   |
| Minimum load                    | 20 mg   |
| Readability [d]                 | 0,001 g   |
| Verification scale interval [e] | 0,01 g  |
| Tare range                      | -750 g  |
| Repeatability (Max)             | 0,0015 g  |
| Repeatability (5% Max)          | 0,0005 g  |
| Linearity                       | ±0,003 g  |
| Stabilization time              | 2 s   |
| Adjustment                      | internal (automatic)  |
| OIML Class                      | II  |
| <b>Physical parameters</b>      |   |
| Leveling system                 | manual  |
| Display                         | LCD (backlit)   |
| Protection class                | IP 43   |
| Delivery components             | Balance, weighing pan, weighing pan shield, grounding bumper ×1, bumper ×3, power supply. |
| Weighing pan dimensions         | 128×128 mm  |
| Packaging dimensions            | 470×380×336 mm  |
| Net weight                      | 3,9 kg  |
| Gross weight                    | 5,5 kg  |
| <b>Communication interface</b>  |   |
| Communication interface         | 2×RS232 <sup>1</sup> , USB-A, USB-B, Wi-Fi (option)                                       |
| <b>Electrical parameters</b>    |   |
| Power supply                    | Adapter: 100 – 240V AC 50/60Hz 0,6A; 12V DC 1,2A<br>Balance: 12 – 15V DC 0,4A max         |
| <b>Environmental conditions</b> |   |
| Operating temperature           | +10 ÷ +40 °C  |

Repeatability is expressed as a standard deviation from 10 weighing cycles. Stabilization time depends on the ambient conditions and the dynamics of weighing pan loading; specified for FAST profile. 1 Barcode scanners, available as weighing instrument accessory, communicate with the instrument via RS232 interface exclusively.

\* Wi-Fi® is a registered trademark of Wi-Fi® Alliance.



## Accessories

Barcode scanners  
Cigarette lighter receptacle power supply cables  
USB cable (scale - printer)  
Density determination KIT  
Power Adapters  
Anti-Draft Chamber for Balances with a 128×128 mm Weighing Pan  
Antivibration Tables  
Displays

Draft Shield  
Receipt Printer  
RPANEL BOX  
Protective cover for balances  
RS 232, RS 485 cables  
Under-Pan Weighing Rack  
RS 232 cables (scale - printer)

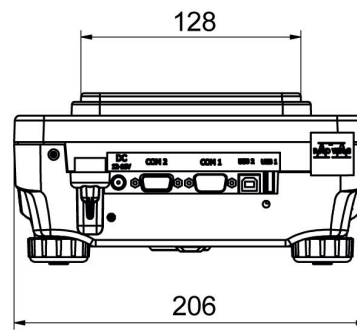
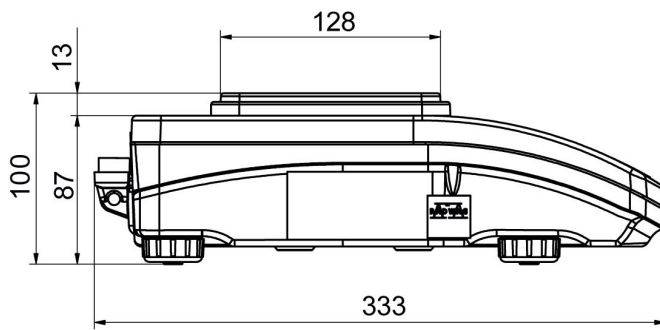
# Software

RAD-KEY  
R Panel  
R-LAB  
E2R System

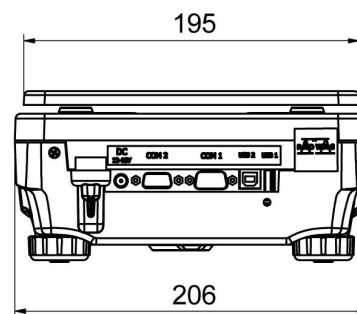
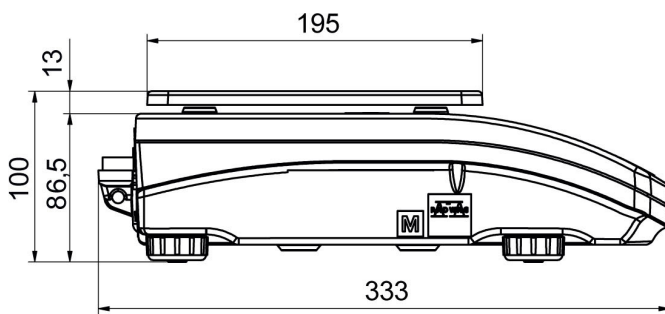
LabVIEW Driver  
Alibi Reader  
RADWAG Development Studio  
R.Barcode

## Device dimensions

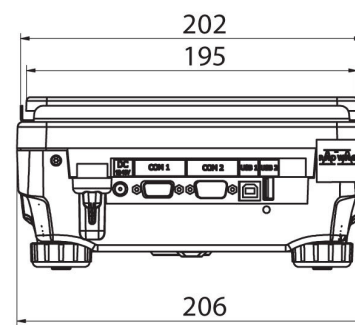
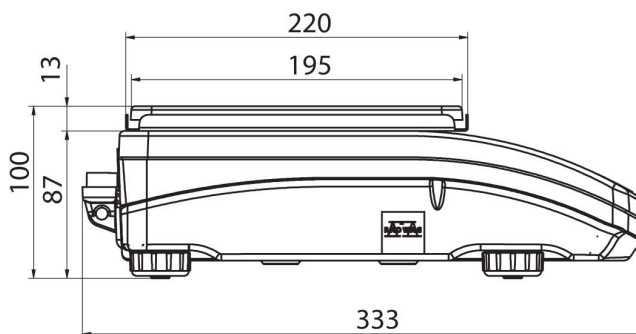
PS 750.R2 Precision Balance



PS R, d = 1mg



PS R, d = 10 mg



PS R.M, d = 10 mg