



More information on the website
radwag.com/en/info,w1,3YL

PS 8100.R2.M Precision Balance



PS 8100.R2.M Precision Balance

The drawings, photos and graphics used are for illustrative purposes only.

Functions



Autotest



Dosing



Percent Weighing



Totalizing



Parts counting



Peak hold



Newton unit
measurement



Statistics



Checkweighing



GLP Procedures



Animal weighing



Density determination

Datasheet

	PS 8100.R2.M Precision Balance
Metrological parameters	
Maximum capacity [Max]	8100 g
Minimum load	0,5 g
Readability [d]	0,01 g
Verification scale interval [e]	0,1 g
Tare range	-8100 g
Minimum weight (USP)	10 g
Minimum weight (U=1%,k=2)	1 g
Repeatability (Max)	0,01 g
Repeatability (5% Max)	0,005 g
Linearity	±0,02 g
Stabilization time	1,5 s
Adjustment	internal (automatic)
OIML Class	II
Physical parameters	
Leveling system	manual
Display	LCD (backlit)
Protection class	IP 43
Delivery components	Balance, weighing pan, weighing pan shield, power supply
Weighing pan dimensions	195×195 mm
Device dimensions	333x206x107 mm
Packaging dimensions	470×380×336 mm
Net weight	4,5 kg
Gross weight	6,1 kg
Communication interface	
Communication interface	2×RS232 ¹ , USB-A, USB-B, Wi-Fi (option)
Electrical parameters	
Power supply	Adapter: 100 – 240V AC 50/60Hz 0,6A; 12V DC 1,2A Balance: 12 – 15V DC 0,4A max
Environmental conditions	
Operating temperature	+10 ÷ +40 °C
Storage temperature	-20 ÷ +50 °C
Relative humidity	40% ÷ 80%

Repeatability is expressed as a standard deviation from 10 weighing cycles. Stabilization time depends on the ambient conditions and the dynamics of weighing pan loading; specified for FAST profile. 1 Barcode scanners, available as weighing instrument accessory, communicate with the instrument via RS232 interface exclusively.

* Wi-Fi® is a registered trademark of Wi-Fi® Alliance.



Accessories

Barcode scanners
Cigarette lighter receptacle power supply cables
USB cable (scale - printer)
Power Adapters

Protective cover for balances
Receipt Printer
RPANEL BOX
RS 232, RS 485 cables

Displays
Density determination KIT

Under-Pan Weighing Rack
RS 232 cables (scale - printer)

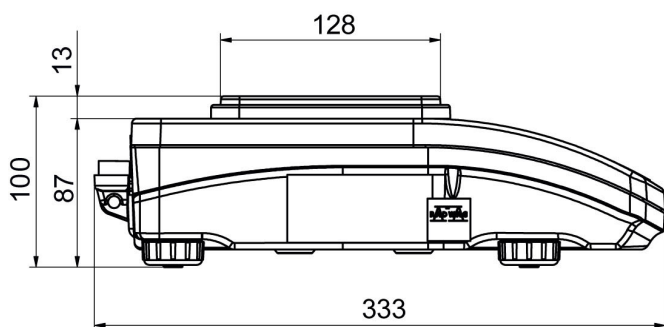
Software

RAD-KEY
R Panel
R-LAB
E2R System

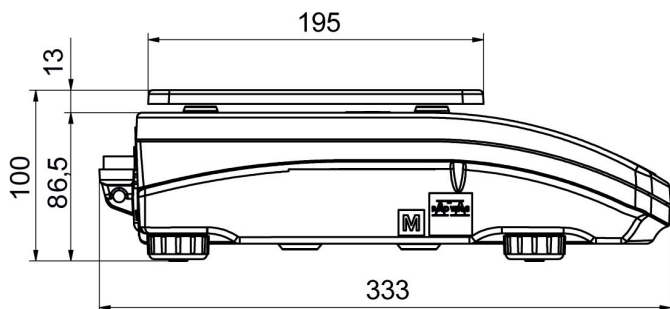
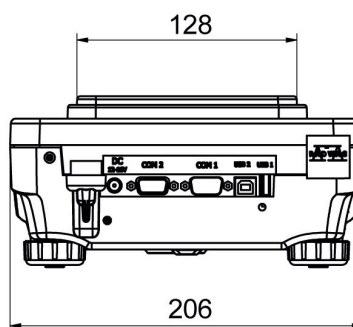
LabVIEW Driver
Alibi Reader
RADWAG Development Studio
R.Barcode

Device dimensions

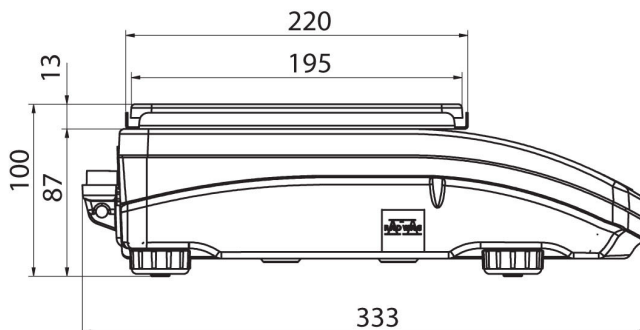
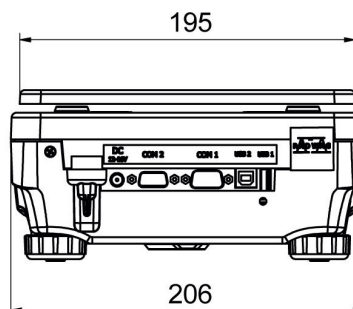
PS 8100.R2.M Precision Balance



PS R, d = 1 mg



PS R, d = 10 mg



PS R.M, d = 10 mg

