



More information on the website
radwag.com/en/info,w1,B6V

AS 3100.X2 PLUS Analytical Balance



The drawings, photos and graphics used are for illustrative purposes only.

Functions



Autotest



Dosing



Percent Weighing



Parts counting



Peak hold



Formulation



Newton unit measurement



Statistics



Checkweighing



IR sensors



GLP Procedures



Animal weighing



Density determination



Ambient conditions monitoring



Replaceable unit



Statistical Quality Control



ALIBI Memory



Mass for titrator



Wi-Fi

Datasheet

Metrological parameters

Maximum capacity [Max]	3,1 kg
Minimum load	-
Readability [d]	1 mg
Verification scale interval [e]	-

Metrological parameters	
Tare range	-3,1 kg
Standard repeatability [5% Max]	0,5 mg
Standard repeatability [Max]	0,6 mg
Standard minimum weight (USP)	120 mg
Standard minimum weight (U=1%, k=2)	1,2 g
Permissible repeatability [5% Max]	0,8 mg
Permissible repeatability [Max]	1 mg
Linearity	±6 mg
Stabilization time	2 s
Adjustment	internal (automatic)
OIML Class	-
Physical parameters	
Leveling system	manual
Display	5" graphic color touchscreen
Protection class	IP 43
Delivery components	Balance, weighing pan, weighing pan shield, centring ring, bottom cover, power supply.
Weighing chamber dimensions	190×190×222 mm
Weighing pan dimensions	ø90 mm (open-work pan)
Packaging dimensions	495×400×515 mm
Net weight	7,3 kg
Gross weight	9,3 kg
Features of use	
Database capacity	7
Touch-free operation	2 IR Sensors
Communication interface	
Communication interface	RS232 ¹ , 2×USB-A (interchangeable), USB-B, Wi-Fi, Ethernet
Electrical parameters	
Power supply	Adapter: 100 – 240V AC 50/60Hz 0,6A; 12V DC 1,2A Balance: 12 – 15V DC 0,8A max
Power consumption max.	4 W
Environmental conditions	
Operating temperature	+10 ÷ +40 °C
Relative humidity	40% ÷ 80%

Repeatability is expressed as a standard deviation from 10 weighing cycles. Stabilization time depends on the ambient conditions and the dynamics of weighing pan loading; specified for FAST profile. 1 Barcode scanners, available as weighing instrument accessory, communicate with the instrument via RS232 interface exclusively.

* Wi-Fi® is a registered trademark of Wi-Fi® Alliance.



Accessories

Antivibration Tables
 Holders for laboratory flasks
 Barcode scanners
 Cigarette lighter receptacle power supply cables
 Density determination KIT
 USB cable (scale - printer)
 Professional weighing table
 Holders for test tubes and filters

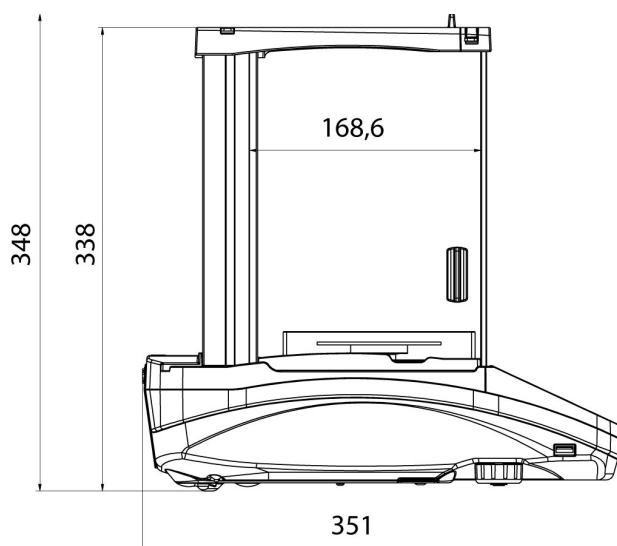
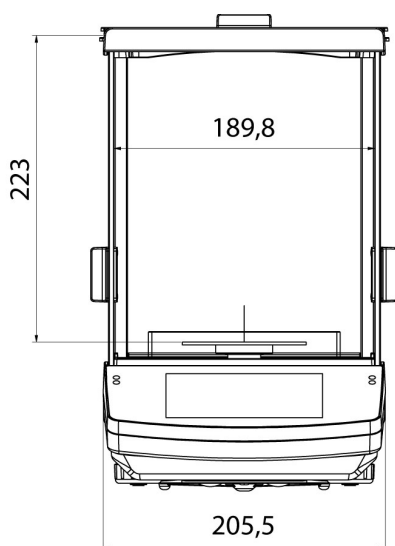
Workstation for Pipettes Calibration
 Displays
 Protective cover for balances
 Weighing dishes
 Antistatic ionizer
 RS 232, RS 485 cables
 Under-Pan Weighing Rack
 RS 232 cables (scale - printer)

Software

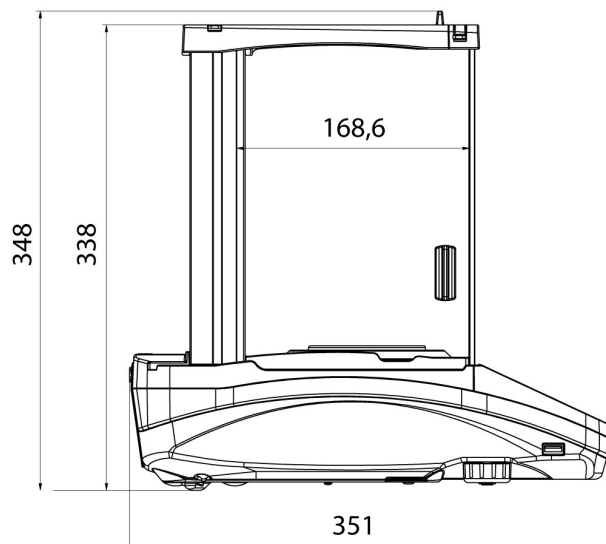
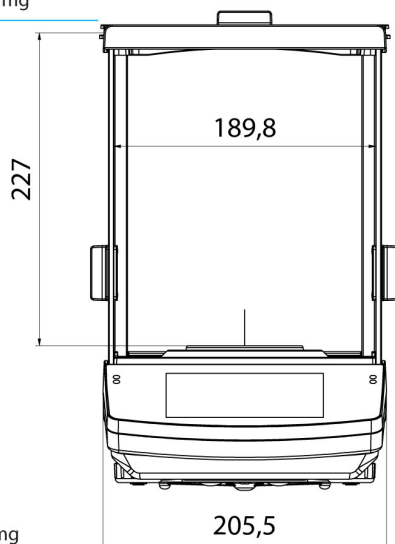
RAD-KEY
 Alibi Reader
 RADWAG Development Studio
 R.Barcode

LabVIEW Driver
 R-LAB
 E2R System

Device dimensions



AS X2 PLUS, d = 0.01 mg



AS X2 PLUS, d = 0.1 mg