



AS 3100.X2 PLUS Analytical Balance

More information on the website
radwag.com/en/info,w1,B6V



AS 3100.X2 PLUS Analytical Balance

The drawings, photos and graphics used are for illustrative purposes only.

Functions



Autotest



Dosing



Percent Weighing



Parts counting



Peak hold



Formulation



Newton unit measurement



Statistics



Checkweighing



IR sensors



Under-pan weighing



GLP Procedures



Animal weighing



Density determination



Ambient conditions monitoring



Replaceable unit



Statistical Quality Control



ALIBI Memory



Mass for titrator



Wi-Fi

Datasheet

AS 3100.X2 PLUS Analytical Balance	
Metrological parameters	
Maximum capacity [Max]	3,1 kg
Minimum load	-
Readability [d]	1 mg
Verification scale interval [e]	-
Tare range	-3,1 kg
Standard repeatability [5% Max]	0,5 mg
Standard repeatability [Max]	0,6 mg
Standard minimum weight (USP)	1 g
Standard minimum weight (U=1%, k=2)	100 mg
Permissible repeatability [5% Max]	0,8 mg
Permissible repeatability [Max]	1 mg
Linearity	±6 mg
Stabilization time	2 s
Adjustment	internal (automatic)
OIML Class	-
Physical parameters	
Leveling system	manual
Display	5" graphic color touchscreen
Protection class	IP 43
Delivery components	Balance, weighing pan, weighing pan shield, centring ring, bottom cover, power supply.
Weighing chamber dimensions	190×190×222 mm
Weighing pan dimensions	ø90 mm (open-work pan)
Packaging dimensions	495×400×515 mm
Net weight	7,3 kg
Gross weight	9,3 kg
Features of use	
Database capacity	7
Touch-free operation	2 IR Sensors
Communication interface	
Communication interface	RS232 ¹ , 2×USB-A (interchangeable), USB-B, Wi-Fi, Ethernet
Electrical parameters	
Power supply	Adapter: 100 – 240V AC 50/60Hz 0,6A; 12V DC 1,2A Balance: 12 – 15V DC 0,8A max
Power consumption max.	4 W
Environmental conditions	
Operating temperature	+10 ÷ +40 °C
Relative humidity	40% ÷ 80%

Repeatability is expressed as a standard deviation from 10 weighing cycles. Stabilization time depends on the ambient conditions and the dynamics of weighing pan loading; specified for FAST profile. 1 Barcode scanners, available as weighing instrument accessory, communicate with the instrument via RS232 interface exclusively.

* Wi-Fi® is a registered trademark of Wi-Fi® Alliance.



Accessories

Antivibration Tables
Holders for laboratory flasks
Barcode scanners
Cigarette lighter receptacle power supply cables
Density determination KIT
USB cable (scale - printer)
Professional weighing table
Holders for test tubes and filters

Workstation for Pipettes Calibration
Displays
Protective cover for balances
Weighing dishes
Antistatic ionizer
RS 232, RS 485 cables
Under-Pan Weighing Rack
RS 232 cables (scale - printer)

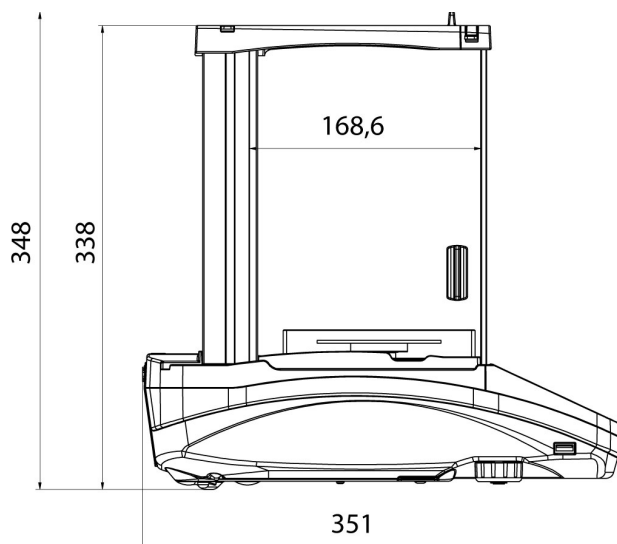
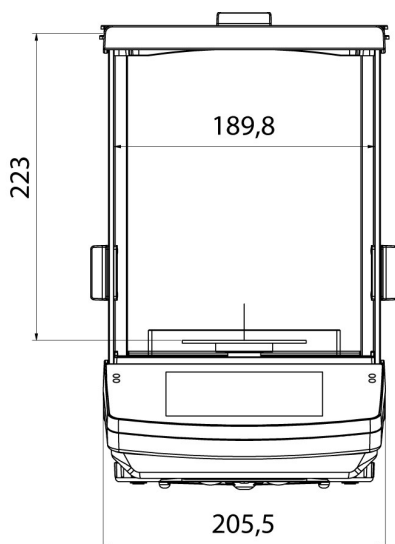
Software

RAD-KEY
Alibi Reader
RADWAG Development Studio
R.Barcode

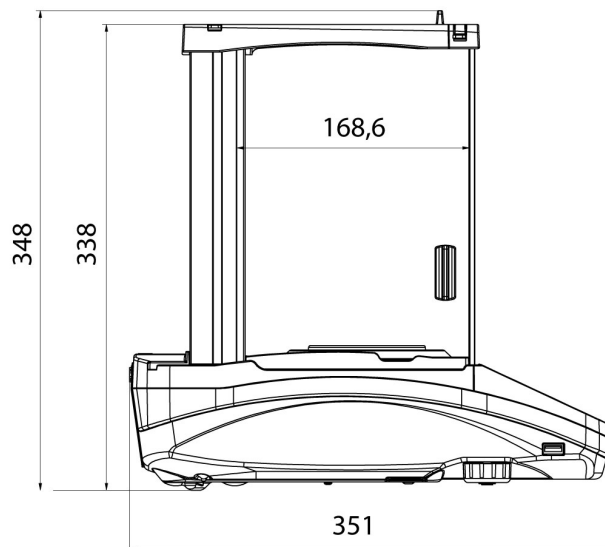
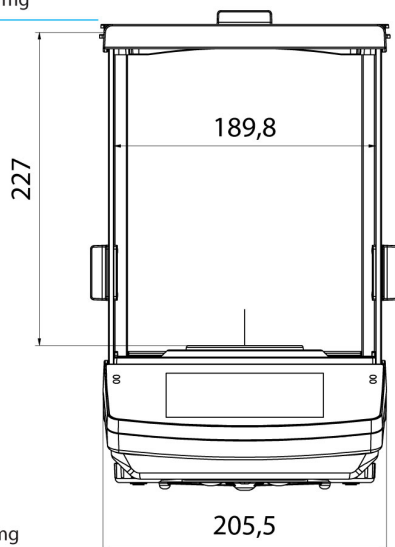
LabVIEW Driver
R-LAB
E2R System

Device dimensions

AS 3100.X2 PLUS Analytical Balance



AS X2 PLUS, d = 0.01 mg



AS X2 PLUS, d = 0.1 mg