



WAY 2.5Y.KO Mass Comparator

More information on the website
radwag.com/en/info,w1,303



WAY 2.5Y.KO Mass Comparator

The drawings, photos and graphics used are for illustrative purposes only.

Datasheet

	WAY 2.5Y.KO Mass Comparator
Metrological parameters	
E1 Calibration Range	1 kg ÷ 2 kg
E2 Calibration Range	500 g ÷ 2 kg
F1 Calibration Range	100 g ÷ 2 kg
F2 Calibration Range	10 g ÷ 2 kg
M1 Calibration Range	1 g ÷ 2 kg
M2 Calibration Range	1 g ÷ 2 kg
Maximum capacity [Max]	2,3 kg
Readability [d]	0,1 mg
Standard repeatability [5% Max]	0,08 mg
Standard repeatability [Max]	0,1 mg
Permissible repeatability	0,2 mg
Eccentricity (tested load)	0 mg*
Electric compensation range	-50 g ÷ +300 g
Stabilization time	20 s
Adjustment	internal
Physical parameters	
Display	10" graphic colour touchscreen
Weighing pan dimensions	ø70 mm
Weighing device dimensions	385×215×525 mm
Controlling device dimensions	249×170×72 mm
Anti-draft chamber dimensions	660×470×700 mm
Packaging dimensions	945×820×1260 mm
Chamber packaging size	820×850×630 mm
Net weight	39,5 kg
Gross weight	59,5 kg
Communication interface	
Communication interface	2×USB-A, USB-C, HDMI, Ethernet, Wi-Fi, Hotspot
Environmental conditions	
Operating temperature	+15 ÷ +30 °C
Operating temperature change rate	±0,5°C/12h (±0,3°C/4h)
Relative humidity	40% ÷ 60%
Relative humidity change rate	±3%/4h

Repeatability is expressed as a standard deviation determined for 6 ABBA cycles. Standard deviation is experimentally determined under ambient conditions for calibration of F2 class mass standards specified in OIML R111 (Table C.1.) document. Eccentricity (tested load) – suspended self-centring weighing pan (available as an option): 0 mg * Eccentricity (tested load): 1 d / mm

* Wi-Fi® is a registered trademark of Wi-Fi® Alliance.



Accessories

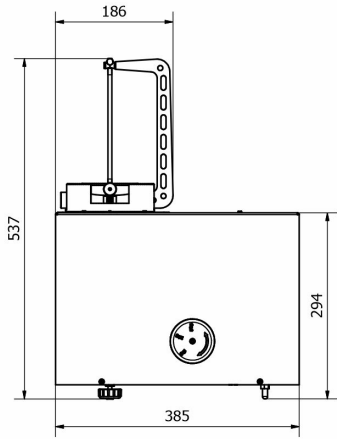
Suspended Self-Centring Weighing Pan for WAY 5Y.KO Manual Mass Comparator	Label Printers
RFID Tags	THBR 2.0 System - Ambient Conditions Monitoring
Antivibration Tables	Receipt Printer
Additional modules	Fingerprint Reader
Protective cover for balances	RS 232, RS 485 cables
Barcode scanners	RS 232 cables (scale - printer)
RS 232, RS 485 cables	

Software

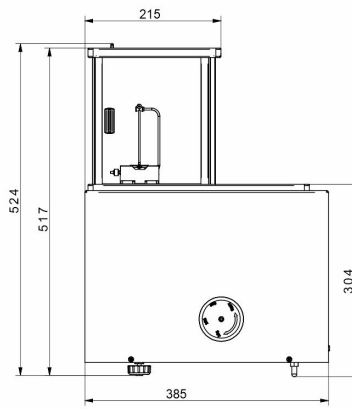
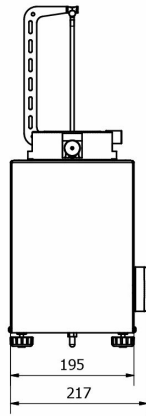
RAD-KEY	RMCS Lite
RMCS System	

Device dimensions

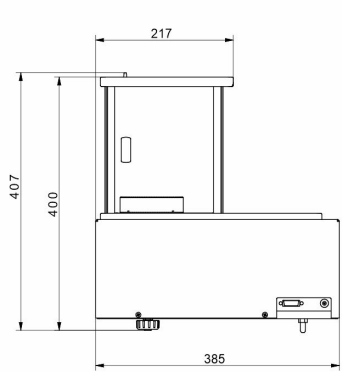
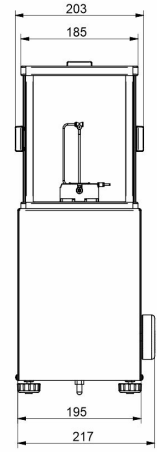
WAY 2.5Y.KO Mass Comparator



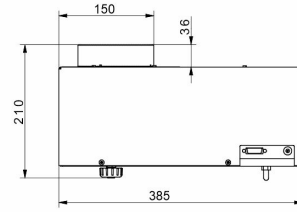
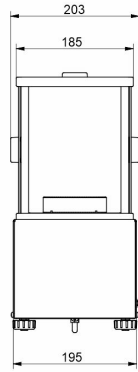
WAY 5.5Y.KO



WAY 100.5Y.KO



WAY 1200.5Y.KO



WAY 5100.5Y.KO

