



WAY 5100.5Y.KO Mass Comparator

More information on the website
radwag.com/en/info,w1,MOI



WAY 5100.5Y.KO Mass Comparator

The drawings, photos and graphics used are for illustrative purposes only.

Datasheet

	WAY 5100.5Y.KO Mass Comparator
Metrological parameters	
E1 Calibration Range	-
E2 Calibration Range	5 kg
F1 Calibration Range	1 kg ÷ 5 kg
F2 Calibration Range	500 g ÷ 5 kg
M1 Calibration Range	200 g ÷ 5 kg
M2 Calibration Range	10 g ÷ 5 kg
Maximum capacity [Max]	5100 g
Readability [d]	1 mg
Standard repeatability [5% Max]	0,8 mg
Standard repeatability [Max]	1 mg
Permissible repeatability	2 mg
Eccentricity (tested load)	1d / 5 mm
Electric compensation range	0 g ÷ +5100 g
Stabilization time	10 s
Adjustment	internal
Physical parameters	
Display	10" graphic colour touchscreen
Weighing pan dimensions	ø100 mm
Weighing device dimensions	385×195×210 mm
Controlling device dimensions	249×170×72 mm
Anti-draft chamber dimensions	560×340×455 mm
Packaging dimensions	945×820×1260 mm
Chamber packaging size	820×735×630 mm
Net weight	16 kg
Gross weight	24,5 kg
Communication interface	
Communication interface	2×USB-A, USB-C, HDMI, Ethernet, Wi-Fi, Hotspot
Environmental conditions	
Operating temperature	+15 ÷ +30 °C
Operating temperature change rate	±0,5°C/12h (±0,3°C/4h)
Relative humidity	40% ÷ 60%
Relative humidity change rate	± 3 % / 4 h

Repeatability is expressed as a standard deviation determined for 6 ABBA cycles. Standard deviation is experimentally determined under ambient conditions for calibration of E1 class mass standards specified in OIML R111 (Table C.1.) document.

* Wi-Fi® is a registered trademark of Wi-Fi® Alliance.



Accessories

RFID Tags
Antivibration Tables
Additional modules
Protective cover for balances
Barcode scanners
RS 232, RS 485 cables

Label Printers
THBR 2.0 System - Ambient Conditions Monitoring
Receipt Printer
Fingerprint Reader
RS 232, RS 485 cables
RS 232 cables (scale - printer)

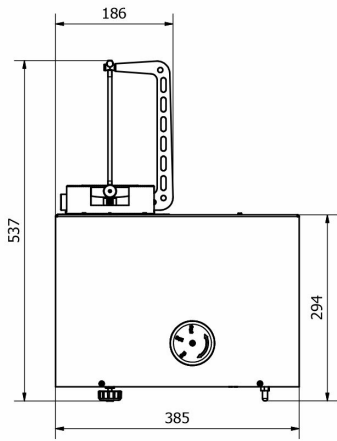
Software

RAD-KEY
RMCS System

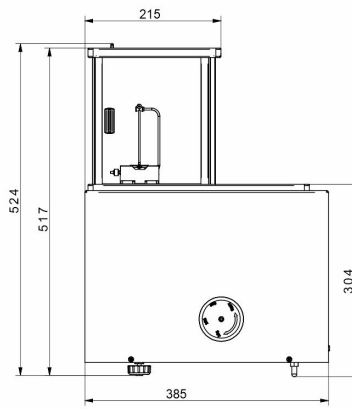
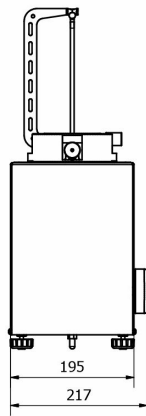
RMCS Lite

Device dimensions

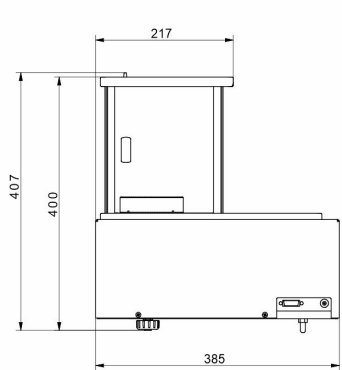
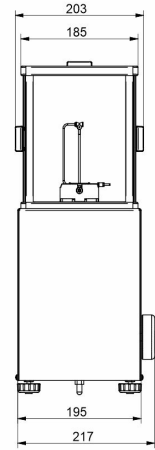
WAY 5100.5Y.KO Mass Comparator



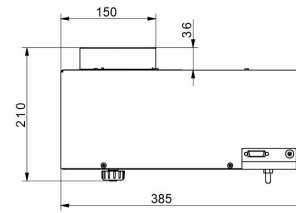
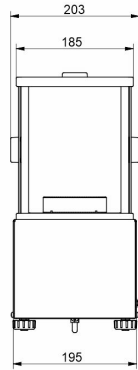
WAY 5.5Y.KO



WAY 100.5Y.KO



WAY 1200.5Y.KO



WAY 5100.5Y.KO

