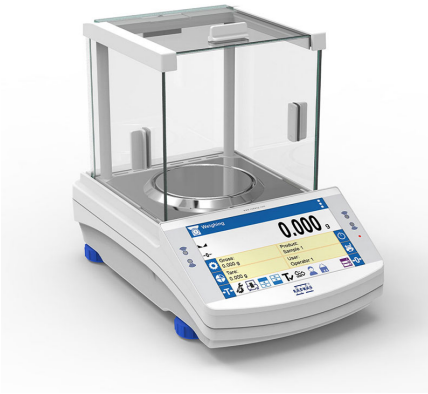




More information on the website
radwag.com/en/info,w1,ARZ

WLC 0.2.X7 Precision Balance



WLC 0.2.X7 Precision Balance

The drawings, photos and graphics used are for illustrative purposes only.

Functions



Autotest



Dosing



Percent Weighing



Parts counting



Peak hold



Formulation



Newton unit measurement



Statistics



Checkweighing



IR sensors



Under-pan weighing



GLP Procedures



Animal weighing



Density determination



Ambient conditions monitoring



Replaceable unit



Statistical Quality Control



ALIBI Memory



Mass for titrator



Wi-Fi

Datasheet

	WLC 0.2.X7 Precision Balance
Metrological parameters	
Maximum capacity [Max]	0,2 kg
Readability [d]	0,001 g
Verification unit [e]	-
Tare range	-0,2 kg
Repeatability	0,0014 g
Linearity	±0,003 g
Stabilization time	2 s
Adjustment	internal (automatic)
Physical parameters	
Leveling system	manual
Display	7" graphic colour touchscreen
Weighing pan dimensions	ø100 mm
Packaging dimensions	430×270×190 mm
Net weight	1,8 kg
Gross weight	3,4 kg
Construction	
Protection class	IP 43
Components and software	
Database capacity	7
Communication interface	
Communication interface	2×RS232 ¹ , USB-A, USB-B, Ethernet, Wi-Fi
Electrical parameters	
Power supply	Adapter: 100 – 240V AC 50/60Hz 0,6A; 12V DC 1,2A Balance: 10 – 15VDC 0,6A max
Environmental conditions	
Operating temperature	+10 ÷ +40 °C

Repeatability is expressed as a standard deviation from 10 weighing cycles. Stabilization time depends on the ambient conditions and the dynamics of weighing pan loading; specified for FAST profile. 1 Barcode scanners, available as weighing instrument accessory, communicate with the instrument via RS232 interface exclusively.

* Wi-Fi® is a registered trademark of Wi-Fi® Alliance.



Accessories

Balance Storage Case
Antivibration Tables
Power Adapters
RS 232 cables (scale - printer)
Cigarette lighter receptacle power supply cables
USB cable (scale - printer)
Barcode scanners

Under-pan weighing
RS 232, RS 485 cables
Displays
Receipt Printer
RS 232, RS 485 cables
RS 232 cables (scale - printer)
RS 232 – RS 485 Converter

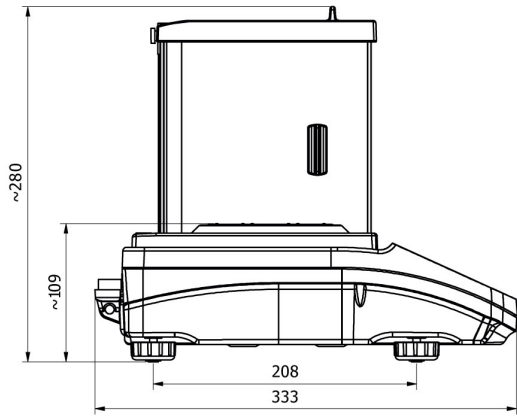
Software

RAD-KEY

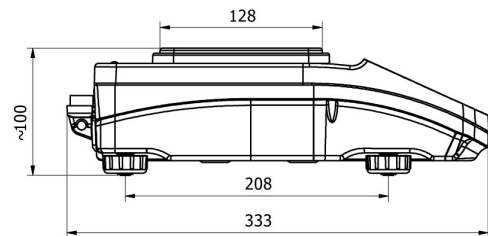
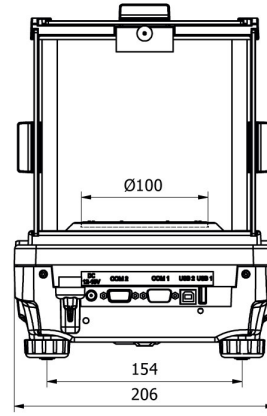
Alibi Reader

Device dimensions

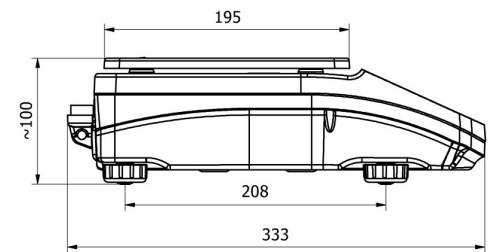
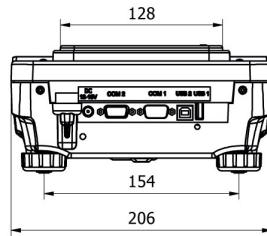
WLC 0.2.X7 Precision Balance



WLC X2, d = 0.001 mg



WLC X2, d = 0.01 mg



WLC X2, d = 0.1 mg

