



More information on the website
radwag.com/en/info,w1,4BF

AK-4.100.1.5Y Automatic Mass Comparators



AK-4.100.1.5Y Automatic Mass Comparators

The drawings, photos and graphics used are for illustrative purposes only.

Datasheet

AK-4.100.1.5Y Automatic Mass Comparators	
Metrological parameters	
E1 Calibration Range	10 g ÷ 100 g
E2 Calibration Range	10 g ÷ 100 g
F1 Calibration Range	10 g ÷ 100 g
F2 Calibration Range	10 g ÷ 100 g
Maximum capacity [Max]	110 g
Readability [d]	0,1 µg
Standard repeatability [5% Max]	0,8 µg
Standard repeatability [Max]	0,8 µg
Permissible repeatability	1,5 µg
Eccentricity (tested load)	-
Electric compensation range	-1 g ÷ +6 g
Stabilization time	30 s
Adjustment	external
Physical parameters	
Display	10" graphic colour touchscreen
Magazine positions	4
Weighing pan dimensions	ø24 mm
Weighing device dimensions	385×215×600 mm
Controlling device dimensions	249×170×72 mm
Anti-draft chamber dimensions	560×340×665 mm
Packaging dimensions	860×800×560 mm
Chamber packaging size	950×420×630 mm
Net weight	45,8 kg
Gross weight	65,8 kg
Communication interface	
Communication interface	2×USB-A, USB-C, HDMI, Ethernet, Wi-Fi, Hotspot
Electrical parameters	
Power supply	100 – 240 V AC 50/60 Hz
Environmental conditions	
Operating temperature	+15 ÷ +30 °C
Operating temperature change rate	±0,5°C/12h (±0,3°C/4h)
Relative humidity	40% ÷ 60%
Relative humidity change rate	±5%/12h (3%/4h)

Repeatability is expressed as a standard deviation determined for 6 ABBA cycles. Standard deviation is experimentally determined under ambient conditions for calibration of E1 class mass standards specified in OIML R111 (Table C.1.) document.

* Wi-Fi® is a registered trademark of Wi-Fi® Alliance.

Accessories

RFID Tags
Antivibration Tables
Additional modules
Protective cover for balances
Barcode scanners
RS 232, RS 485 cables

THBR 2.0 System - Ambient Conditions Monitoring
Receipt Printer
Fingerprint Reader
RS 232, RS 485 cables
RS 232 cables (scale - printer)

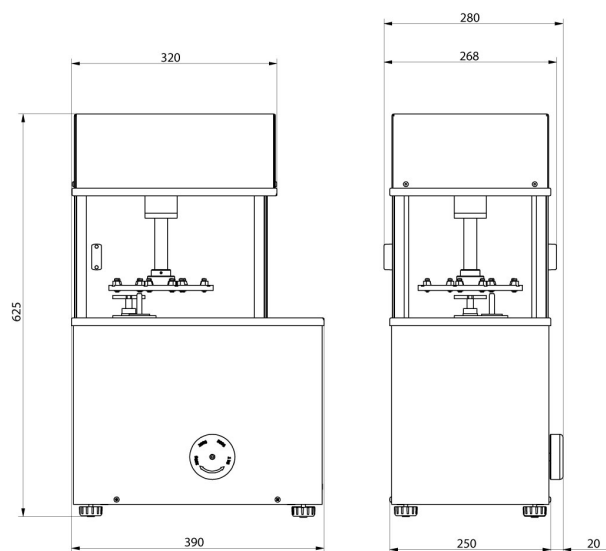
Software

RAD-KEY
RMCS System

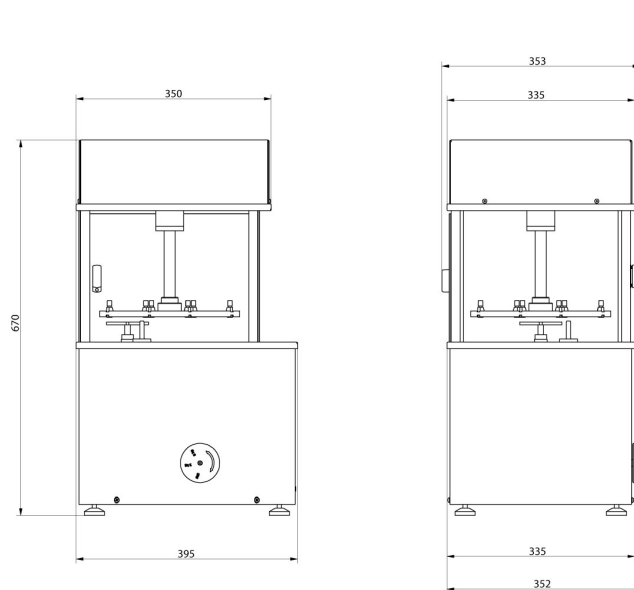
RMCS Lite

Device dimensions

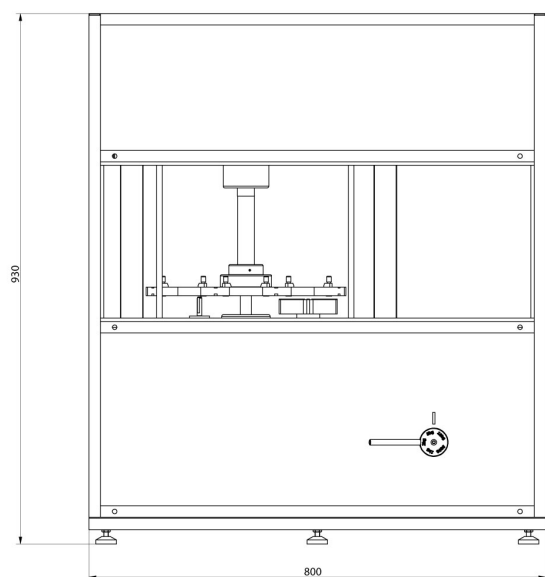
AK-4.100.1.5Y Automatic Mass Comparators



AK-4/100, AK-4/1000,
AK-4/1000.1



AK-4/2000, AK-4/5000,
AK-4/5000.1



AK-4/10000, AK-4/16000

