



AK-4.2000.5Y Automatic Mass Comparators

More information on the website  
[radwag.com/en/info,w1,09J](http://radwag.com/en/info,w1,09J)



AK-4.2000.5Y Automatic Mass Comparators

The drawings, photos and graphics used are for illustrative purposes only.

## Datasheet

AK-4.2000.5Y Automatic Mass Comparators	
<b>Metrological parameters</b>	
E1 Calibration Range	200 g ÷ 2 kg
E2 Calibration Range	200 g ÷ 2 kg
F1 Calibration Range	200 g ÷ 2 kg
F2 Calibration Range	200 g ÷ 2 kg
Maximum capacity [Max]	2,05 kg
Readability [d]	0,01 mg
Standard repeatability [5% Max]	12 µg
Standard repeatability [Max]	15 µg
Permissible repeatability	25 µg
Eccentricity (tested load)	-
Electric compensation range	-10 g ÷ +20 g
Stabilization time	30 s
Adjustment	external
<b>Physical parameters</b>	
Display	10" graphic colour touchscreen
Magazine positions	4
Weighing pan dimensions	ø75 mm
Weighing device dimensions	385×215×600 mm
Controlling device dimensions	249×170×72 mm
Anti-draft chamber dimensions	560×340×665 mm
Packaging dimensions	860×800×560 mm
Chamber packaging size	950×420×630 mm
Net weight	69 kg
Gross weight	96 kg
<b>Communication interface</b>	
Communication interface	2×USB-A, USB-C, HDMI, Ethernet, Wi-Fi, Hotspot
<b>Electrical parameters</b>	
Power supply	100 – 240 V AC 50/60 Hz
<b>Environmental conditions</b>	
Operating temperature	+15 ÷ +30 °C
Operating temperature change rate	±0,5°C/12h (±0,3°C/4h)
Relative humidity	40% ÷ 60%
Relative humidity change rate	±5%/12h (3%/4h)

Repeatability is expressed as a standard deviation determined for 6 ABBA cycles. Standard deviation is experimentally determined under ambient conditions for calibration of F2 class mass standards specified in OIML R111 (Table C.1.) document.

\* Wi-Fi® is a registered trademark of Wi-Fi® Alliance.

## Accessories

RFID Tags  
Antivibration Tables  
Additional modules  
Protective cover for balances  
Barcode scanners  
RS 232, RS 485 cables

THBR 2.0 System - Ambient Conditions Monitoring  
Receipt Printer  
Fingerprint Reader  
RS 232, RS 485 cables  
RS 232 cables (scale - printer)

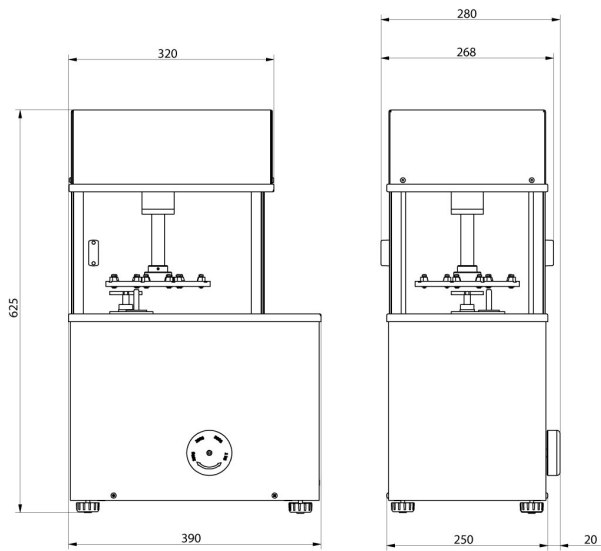
## Software

RAD-KEY  
RMCS System

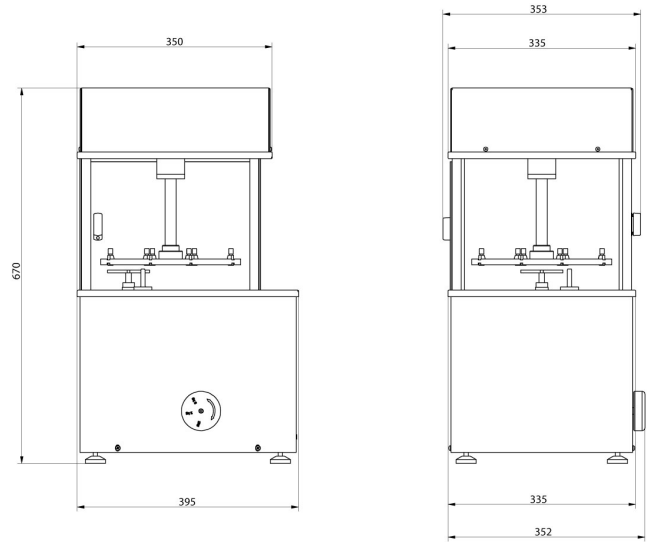
RMCS Lite

## Device dimensions

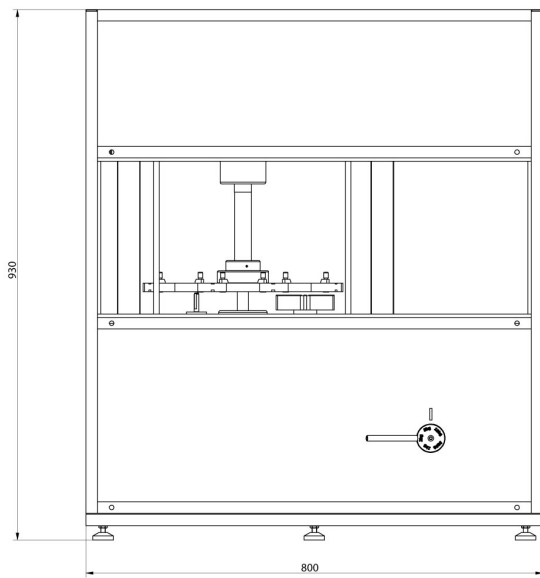
AK-4.2000.5Y Automatic Mass Comparators



AK-4/100, AK-4/1000,  
AK-4/1000.1



AK-4/2000, AK-4/5000,  
AK-4/5000.1



AK-4/10000, AK-4/16000

